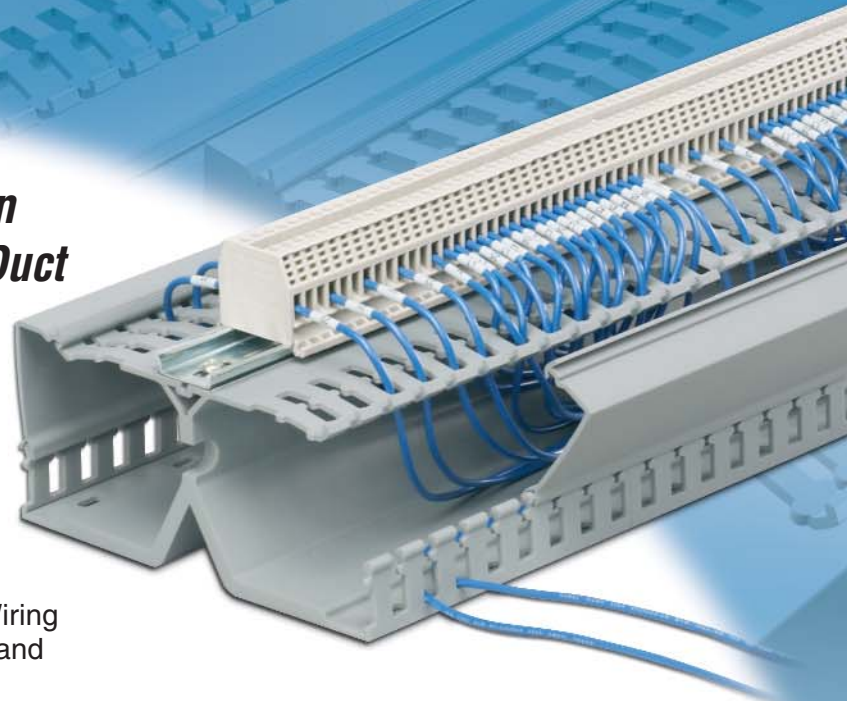




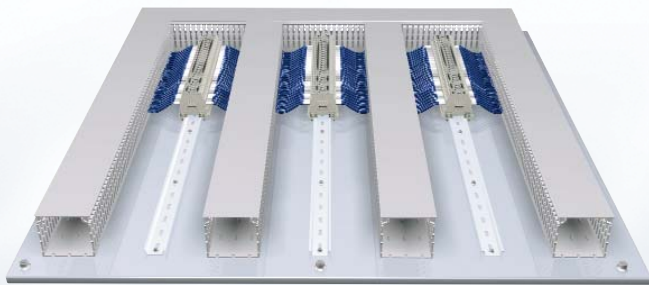
Achieve Panel Space Optimization with PANELMAX™ DIN Rail Wiring Duct

PANDUIT® PANELMAX™ DIN Rail Wiring Duct is an innovative wire management solution that maximizes space utilization within industrial enclosures, for flexibility in panel layout and reduced material and installation costs.

The unique design raises components from the panel surface for easier component access and faster connections. Three sizes of the DIN Rail Wiring Duct base are compatible with common DIN rail and DIN mount components¹ to satisfy a wide range of applications.



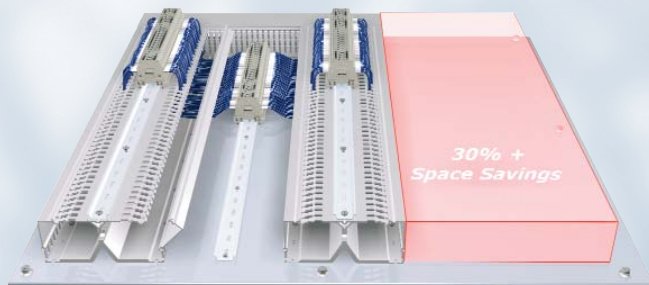
Conventional Wiring Duct Panel Layout



- Space saving design allows positioning of DIN rail and components directly above an integrated wire management channel for up to a **30% smaller footprint**

- Provides increased design flexibility and component access for easier installation and maintenance

DIN Rail Wiring Duct Panel Layout with 30%+ Space Savings



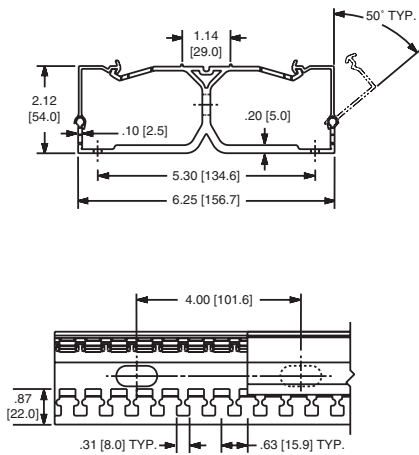
- DIN rail mounts directly to wiring duct with plastic thread cutting screws for **up to 40% faster** duct and rail installation and reduced labor costs²

- Compatible with 35mm or 15mm DIN rail and many DIN rail mount components for design flexibility¹

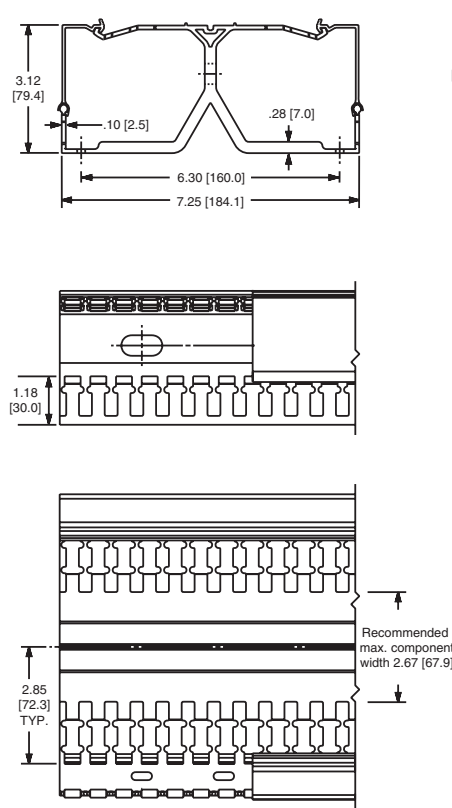
¹ Compatible components include but not limited to DIN mount terminal blocks, cube relays, interface modules, and fuse blocks and circuit breaker, small PLC I/O modules. Component compatibility is limited by overall size, compared to product platform size, and a maximum component weight of 4 lbs. per foot.

² Compared to installing two conventional wiring ducts and a single DIN rail mounted to the panel surface.

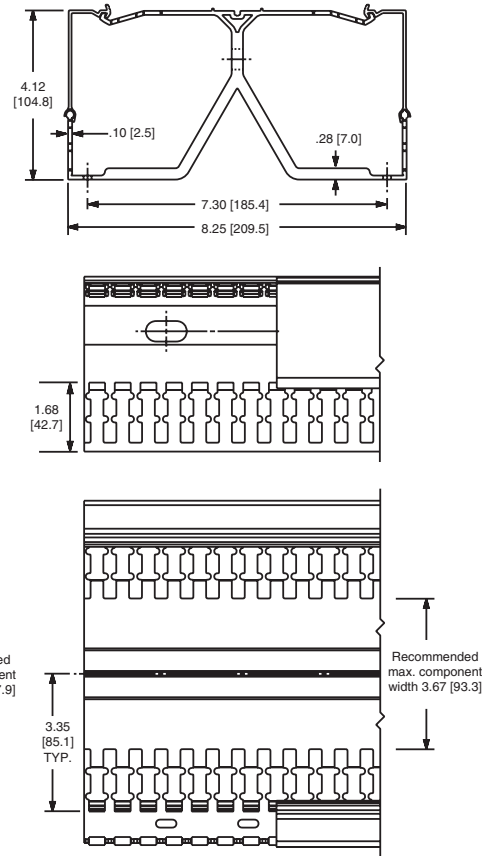
2" Duct



3" Duct



4" Duct



WORLDWIDE SUBSIDIARIES AND SALES OFFICES

PANDUIT CANADA
Markham, Ontario
cs-cdn@panduit.com
Phone: 800.777.3300

PANDUIT EUROPE LTD.
London, UK
cs-emea@panduit.com
Phone: 44.20.8601.7200

PANDUIT SINGAPORE PTE. LTD.
Republic of Singapore
cs-ap@panduit.com
Phone: 65.6305.7575

PANDUIT JAPAN
Tokyo, Japan
cs-japan@panduit.com
Phone: 81.3.6863.6000

PANDUIT LATIN AMERICA
Jalisco, Mexico
cs-la@panduit.com
Phone: 52.333.777.6000

PANDUIT AUSTRALIA PTY. LTD.
Victoria, Australia
cs-aus@panduit.com
Phone: 61.3.9794.9020

For a copy of **PANDUIT** product warranties, log on to www.panduit.com/warranty



For more information
Visit us at www.panduit.com

Contact Customer Service by email: cs@panduit.com
or by phone: 800-777-3300 and reference WDFL02

©2008 **PANDUIT** Corp.
ALL RIGHTS RESERVED.
WW-WDFL02
11/2008