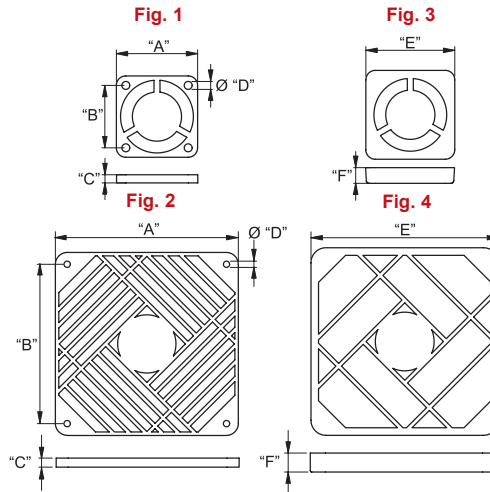
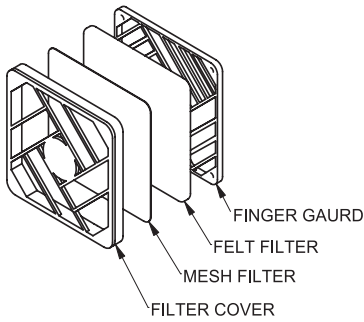


RCP/RFG/RFC/RFF/RMF
Fan Filters



Features

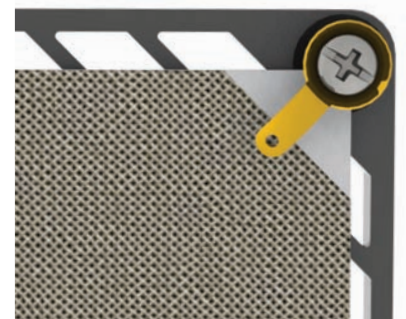
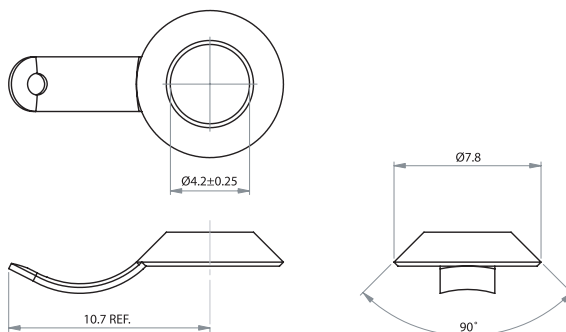
- Filter set (RCP) provides IP30 protection
- Filter Set includes finger guard, filter cover, mesh filter and felt filter

*Filter Set Part No.	Finger Guard					Filter Cover (not sold separately)				
	Finger Guard Part No.	"A"	"B"	"C"	"D" Hole Ø Min.	Fig.	Filter Cover Part No.	"E"	"F"	Fig.
RCP-040-T	RFG-040-T	43	32.2	4.3	4.1	1	RFC-040-T	46.5	8.4	3
RCP-060-T	RFG-060-T	60.5	50.1	6		2	RFC-060-T	64.9	12.5	4
RCP-080-T	RFG-080-T	80.6	71.8				RFC-080-T	84.8		
RCP-092-T	RFG-092-T	92.3	82.4				RFC-092-T	96.9		
RCP-120-T	RFG-120-T	120.6	105.5				6.2	RFC-120-T		

Material: Filter Cover & Guard: Nylon 6/6 25% Glass Filled UL94 V0, RMS-27 Color: Black;
Felt Filter: Polyester, RMS-28 Color: White;
Mesh Filter: Stainless Steel AISI 304, RMS-29

	40 x 40	60 x 60	80 x 80	92 x 92	120 x 120
Finger Guard Only	RFG-040-T (160/Bag)	RFG-060-T (60/Bag)	RFG-080-T (30/Bag)	RFG-092-T (20/Bag)	RFG-120-T (30/Bag)
*Filter Set	RCP-040-T (50/Box)	RCP-060-T (20/Box)	RCP-080-T (10/Box)	RCP-092-T (10/Box)	RCP-120-T (10/Box)
Felt Filter Only	RFF-040-T (300/Bag)	RFF-060-T (100/Bag)	RFF-080-T (100/Bag)	RFF-092-T (100/Bag)	RFF-120-T (50/Bag)
Mesh Filter Only	RMF-040-T (300/Bag)	RMF-060-T (500/Bag)	RMF-080-T (400/Bag)	RMF-092-T (400/Bag)	RMF-120-T (250/Bag)

FG
Grounding Finger



Features

- Helps to eliminate static electricity that is created when air passes through a metallic filter
- To be used with fan filter set RCP

Material: 0.3 Thick Brass, RMS-373; Tin Plated, RMS-246

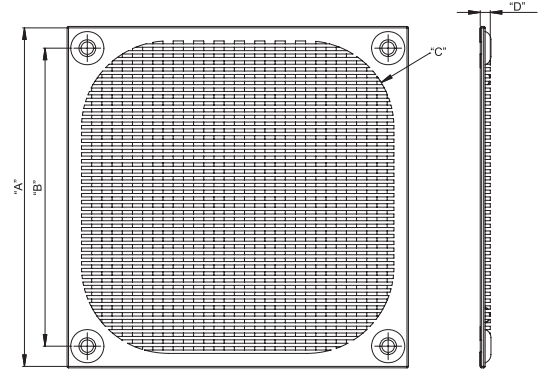
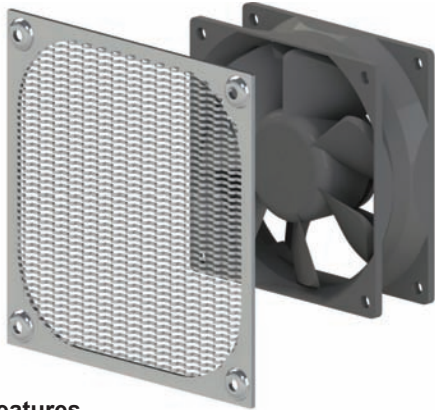
Standard Pack: 1000/Bag

FG-1

FAN ACCESSORIES

MFF

Metal Frame Filter



Features

- Provides EMI & RFi protection

Material: Frame-Aluminum 1060, RMS-247; Mesh-Stainless Steel 304, RMS-283			Standard Pack: 100/Bag		
Part No.	"A" ± 1	"B"	"C"	"D" ± 1	Mounting hole Ø x 4
MFF-60	59.2	50	R7.5	4	4.32
MFF-80	83.8	71.4	R10	3.5	
MFF-92	92	82.5	R12.5	4	
MFF-120	118.9	104.8	R25	3.5	
Wire Ø: 23, Mesh Size: 30 Strands/1 25.4					