

Cable trunking SES with slots and base punching

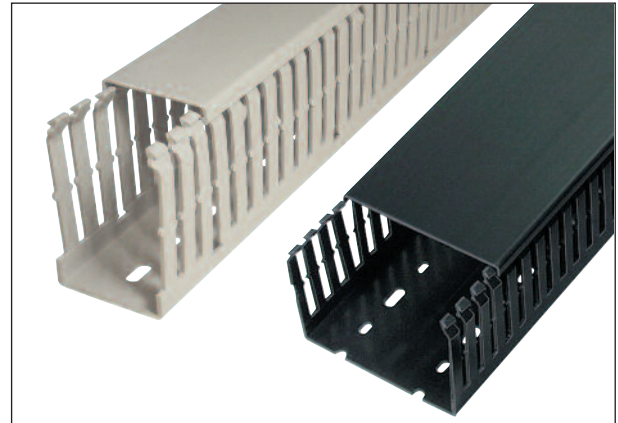


GF-DIN-A7/5
GF-DIN-A6/4



GF-DIN-A7/5 -A6/4

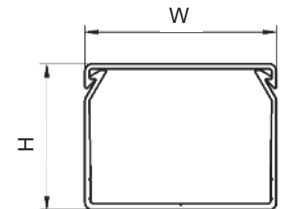
Material:	Rigid PVC quality 9051 LF
Colours:	grey RAL7030 - black
Operating temperatures:	-5 to +65°C
Volume resistivity:	10 ¹⁵ Ω.cm
Dielectric strength:	15kV/mm
Spécification:	V0 UL94
Standard length:	2 meters
Double sided adhesive:	upon request
Minimum delivery:	1 complete packing (with lids)





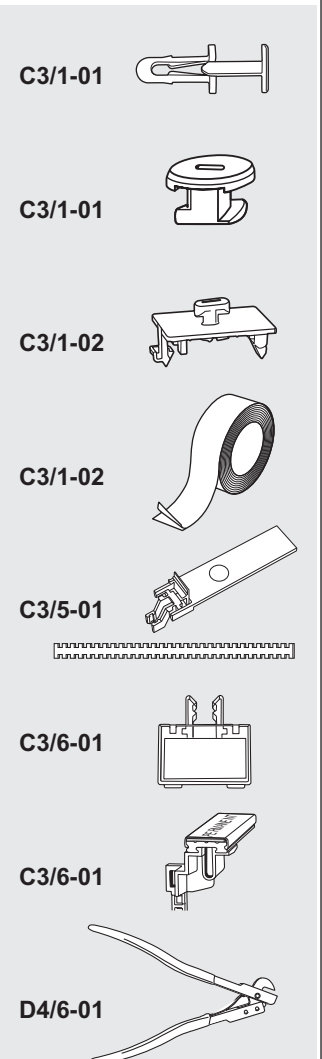
Example for order:

Colours: 013 grey 010 black

code group	detail article	code colour
0845	x x x x	x x x



type	trunking art. no.	 m	outside dim.		cables per trunking (filling 50%)			lids (alone)	
			H mm	W mm	1 mm ²	1,5 mm ²	2,5 mm ²	art. no.	 m
GF-DIN-A7/5 25 x 25	0845 0031 ***	48	23	23	25	21	17	0845 0640 ***	48
GF-DIN-A7/5 37,5x 25	0845 0041 ***	48	35,5	23	44	36	30	0845 0640 ***	48
GF-DIN-A7/5 37,5x 37,5	0845 0051 ***	24	35,5	35,5	74	61	51	0845 0645 ***	24
GF-DIN-A7/5 37,5x 50	0845 0061 ***	24	35,5	48	105	86	72	0845 0650 ***	24
GF-DIN-A7/5 50 x 25	0845 0131 ***	48	48	23	62	51	42	0845 0640 ***	48
GF-DIN-A7/5 50 x 37,5	0845 0141 ***	24	48	35,5	104	85	71	0845 0645 ***	24
GF-DIN-A7/5 50 x 50	0845 0151 ***	24	48	48	146	120	100	0845 0650 ***	24
GF-DIN-A7/5 50 x 75	0845 0152 ***	24	48	73	230	189	158	0845 0655 ***	24
GF-DIN-A7/5 50 x 100	0845 0153 ***	12	48	98	315	259	216	0845 0630 ***	12
GF-DIN-A7/5 50 x 125	0845 0154 ***	12	48	123	399	328	274	0845 0665 ***	12
GF-DIN-A7/5 75 x 25	0845 0211 ***	48	73	25	101	83	69	0845 0640 ***	48
GF-DIN-A7/5 75 x 37,5	0845 0221 ***	24	73	35,5	161	132	111	0845 0645 ***	24
GF-DIN-A7/5 75 x 50	0845 0231 ***	24	73	48	227	186	156	0845 0650 ***	24
GF-DIN-A7/5 75 x 75	0845 0241 ***	24	73	73	358	294	246	0845 0655 ***	24
GF-DIN-A7/5 75 x 100	0845 0251 ***	12	73	98	489	402	336	0845 0630 ***	12
GF-DIN-A7/5 75 x 125	0845 0261 ***	12	73	123	620	509	426	0845 0665 ***	12
GF-DIN-A6/4 100 x 50	0845 0286 013	24	100	48	304	250	209	0845 0650 013	24
GF-DIN-A6/4 100 x 75	0845 0296 013	12	100	73	484	398	333	0845 0655 013	24



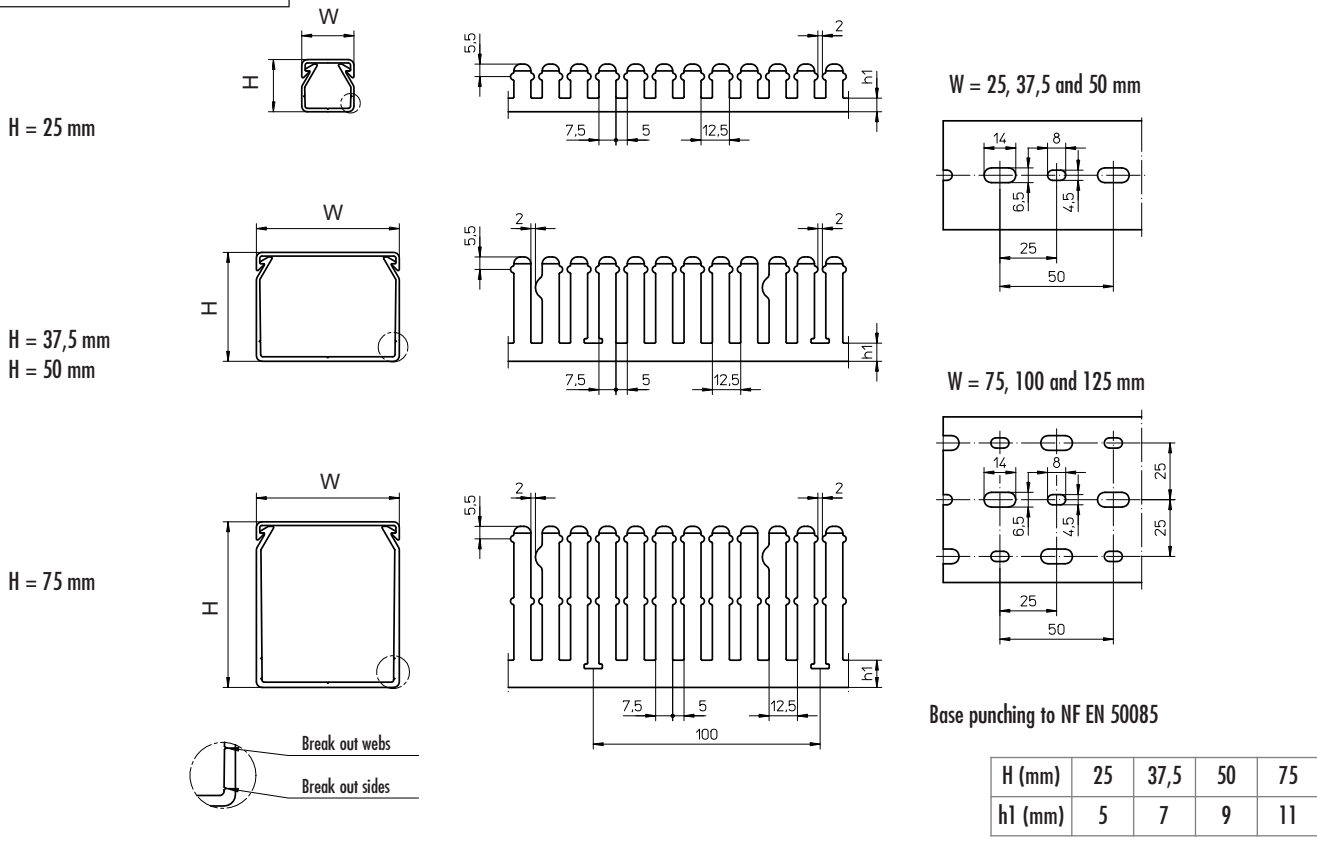
Cable trunking SES
with slots and base punching



GF-DIN-A7/5
GF-DIN-A6/4



GF-DIN-A7/5



GF-DIN-A6/4

